



Worksheet

Grade 6- Science

Chapter 12- Electric Current and Circuits

Choose the correct Answer:

1. A bulb has
 - (a) two terminals and one filament
 - (b) two terminals and two filaments
 - (c) multiple terminals and single filament
 - (d) single terminal and single filament
2. Choose the incorrect statement.
 - (a) A switch is the source of electric current in a circuit.
 - (b) A switch helps to complete or break the circuit.
 - (c) A switch helps us to use electricity as per our requirement.
 - (d) When the switch is open there is an air gap between its terminals.
3. Filament of a torch bulb is
 - (a) a metal case
 - (b) metal tip at the centre of the base
 - (c) two thick wires
 - (d) a thin wire.
4. Paheli is running short of connecting wires. To complete an electric circuit, she may use a
 - (a) glass bangle
 - (b) thick thread
 - (c) rubber pipe
 - (d) steel spoon.
5. Electric cell is a source of?
 - (a) Electricity.
 - (b) Filament.
 - (c) Switch.
 - (d) No one of these.
6. A device which converts chemical energy into electrical energy is called?
 - (a) Solar cell.

(b) Dry cell.

(c) Circuit.

(d) Filament.

7. A device that is used to break an electric circuit or to complete it, is called?

(a) Filament.

(b) Switch.

(c) Bulb.

(d) Cell.

8. Materials that do not allow electric current to pass through them are called?

(a) Conductors.

(b) Terminal.

(c) Switch.

(d) Insulators.

9. In a dry cell, energy is converted to electrical energy.

(a). chemical

(b). heat

(c). light

(d). all of these

10. _____ is an example of an insulator.

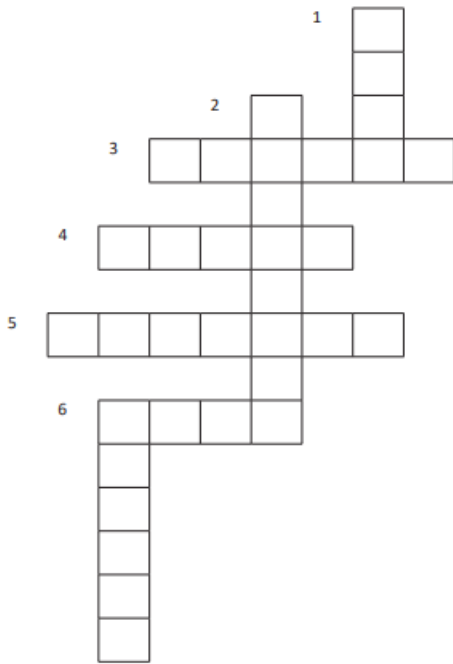
(a). silver

(b). rubber

(c). copper

(d). graphite

11. Read the clues and complete the password.



Across:

- a. It connects or disconnects the appliance from the power source
- b. The cell that directly converts solar energy to electricity
- c. Cells combine to form this
- d. Water should be mixed with this to conduct electricity

Down:

- a. The outer layer of a dry cell is made of this metal
- b. The part of the bulb which glows when electricity is passed through it
- c. The expensive metal that is a good conductor of electricity.

Answer in one word:

12. Uses sunlight to get charged: _____
13. This provides electrical energy to an iPhone: _____
14. This is combined to make a solar panel: _____
15. Number of cells that make up a car battery: _____
16. This secondary cell can recharge a laptop: _____.

Fill in the blanks:

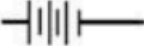



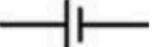
17. A cell converts energy into energy.
18. The combination of two or more cells in a specific order is called a
19. A is a device which makes or breaks the circuit.
20. Our body is a good of electricity.
21. Substances through which an electric current can pass are called
22. We use a to test the conductivity of a material, i.e., whether it is a conductor or an insulator.
23. A bulb in which the is broken is called a

bulb.

Say whether the statements are true or false. Correct the false statements.

24. Button cells are used in the city street lights.
25. When a torch is switched on, all parts of the bulb glow.
26. An electrical path without any break is a closed circuit.
27. An electric bulb glows when it is connected to both the terminals of a dry cell.
28. Graphite being a non-metal acts as an insulator.
29. In the context of electricity, fill in with closely associated words.
 - a. Filament: _____
 - b. Terminal: _____
 - c. Ammonium chloride: _____
 - d. Rechargeable cell: _____
 - e. Non-metal: _____
30. Match the following:

Circuit Symbols. Match the symbol with the associated term.

1. 	a. open switch
2. 	b. cell
3. 	c. wire
4. 	d. battery
5. 	e. bulb